

This drawing is proprietary to PIC Wire & Cable. No portion of this document may be reproduced or disclosed for any purpose without previous authorization from PIC Wire & Cable.

Approved Vendor(s)

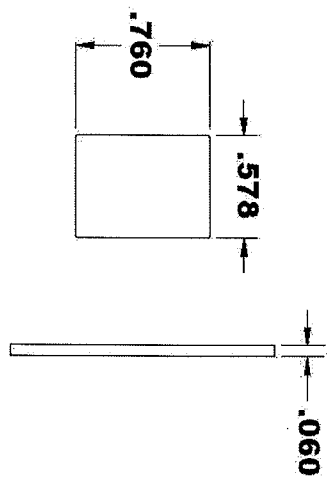
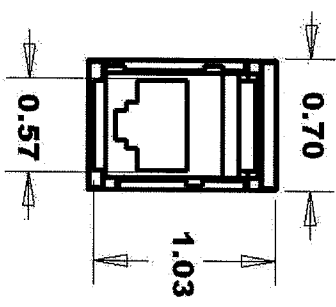
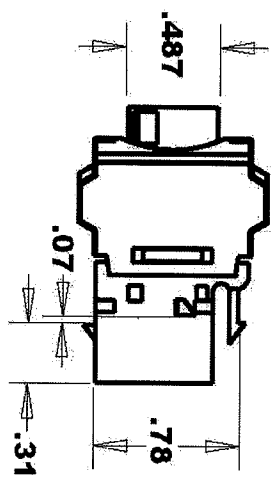
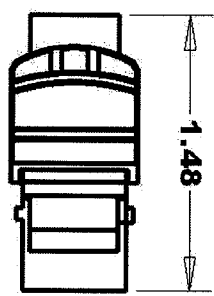
1) **SIEMON**

Vendor P/n

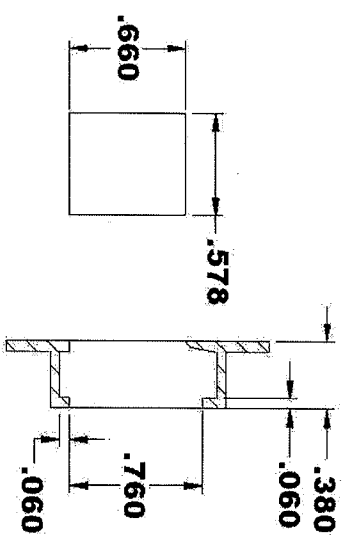
10GMX-KS

REVISION HISTORY

REV	DATE	APPROVED
0	09/28/10	GJP



FLAT MOUNTING INFORMATION



RECESSED MOUNTING INFORMATION

PIC Wire & Cable
 Sussex, WI 53089-0380
 Phone 262-246-0500
 Fax 262-246-0450

Source Control Drawing
 RJ45 Panel Jack Cat 5E&6 10G Universal

APPROVALS	DATE
Drawn by: JMJ	09/28/10
Engineer: GJP	09/28/10
Engr Mgr: GJP	09/28/10

SIZE	CAGE CODE	DWG NO
A	OBCW9	110382

SCALE: NONE FILE: enq1/proevault/110382.drw SHEET: 1 OF 1