
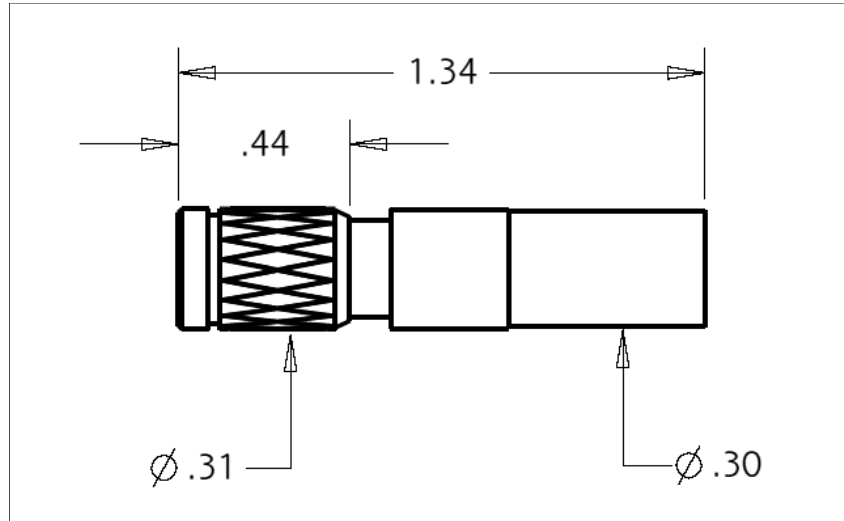


PIC Wire & Cable	Connector Specification	P/N 110844
<i>A Division of the Angelus Corporation</i> Ph (262) 246-0500 Fax (262) 246-0450 www.picwire.com PO Box 330 Sussex, WI 53089	Approved : 	Date : 03/31/15
	Distribution : USER	Rev. 0
		Uncontrolled if Printed

1.0/2.3 DIN Plug connector
for V78209



PERFORMANCE

Nominal Impedance	75 Ohms
Frequency Range	0 - 3 GHz
Voltage Rating	150 VRMS
Insulation Resistance	10,000 Megohms

CONNECTOR WEIGHT (Each)

.280 ounces (7.92 grams)

RoHS COMPLIANT

Complies to RoHS Standards

INSTALLATION

Center Contact

M22520 / 5-01, Tool
Daniels # Y1833P, Die Set
(.042 square crimp)

Crimp Ferrule

M22520 / 5-01, Tool
M22520 / 5-59, Die Set
(.255 A hex)

CONSTRUCTION

Materials:

Body :	Brass, ASTM-B16
Center Contact :	Brass, ASTM-B16
Outer Contact :	Beryllium Copper, ASTM-B196
Ferrule :	Brass, ASTM-B16,
Dielectric :	PTFE

Finish :

Body, Ferrule :	Nickel
Center Contact :	Gold

Applicable Standards :

MIL-STD-348
MIL-PRF-39012

Notes :

- 1) A 1.5" piece of Raychem ATUM heat shrink P/N ATUM-8/2-0 provided with connector for purpose of strain relief & moisture protection.
- 2) Please refer to T-110844 Termination Instruction sheet for strip dimensions & instructions.