

PIC Wire & Cable

A Division of the Angelus Corporation
 Ph (262) 246-0500 Fax (262) 246-0450 www.picwire.com
 W220 N1051 Springdale Road Waukesha, WI 53186

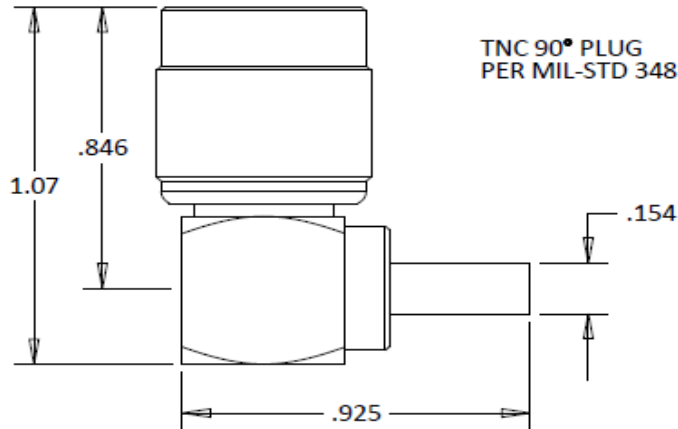
Connector Specification

Approved : *JDA*
 Distribution : USER

P/N 110874

Date : 07/14/21
 Rev : 0 (07/14/21)
 Uncontrolled if Printed

TNC 90° Plug
 for S31601 Coax Cable

**PERFORMANCE**

Nominal Impedance	50 Ohms
Frequency Range	0 - 11 GHz
Voltage Rating	500 V (rms)
Temperature Rating	-65°C to +165°C
Insertion Loss :	$0.07 \sqrt{F(\text{GHz})}$
Insulation Resistance	5000 Megaohms min.

CONSTRUCTION**Materials:**

Body	Brass
Insulator	Delrin
Contact Pin	Brass
Nut	Brass
Ferrule	Brass

Finish :

Body, Ferrule, Nut	Nickel
Contact Pin	Gold
Insulator	Natural

CONNECTOR WEIGHT (Each)

.75 ounces (21.4 grams)

RoHS COMPLIANT

Complies to RoHS Standards

INSTALLATION**Center Contact**

Soldering Equipment

Crimp Ferrule

M22520/5-01 Hex Crimp Tool
 M22520/5-35 Hex Crimp Tool
 Cavity B (.128" Hex)

APPLICABLE STANDARDS

MIL-STD 348
 MIL-PRF-39012

Notes :

1) A 1.0" piece of Raychem ATUM heat shrink
 P/N ATUM-4/1-1.0" provided with connector for
 purpose of strain relief & moisture protection.

2) Please refer to T-110874 Termination Instruction
 sheet for strip dimensions & instructions.

PIC Wire & Cable Connector User specification sheets are non-controlled documents if printed. Please contact PIC Wire and Cable or visit the PIC website (www.picwire.com) to ensure the latest revision of the drawing is being viewed.