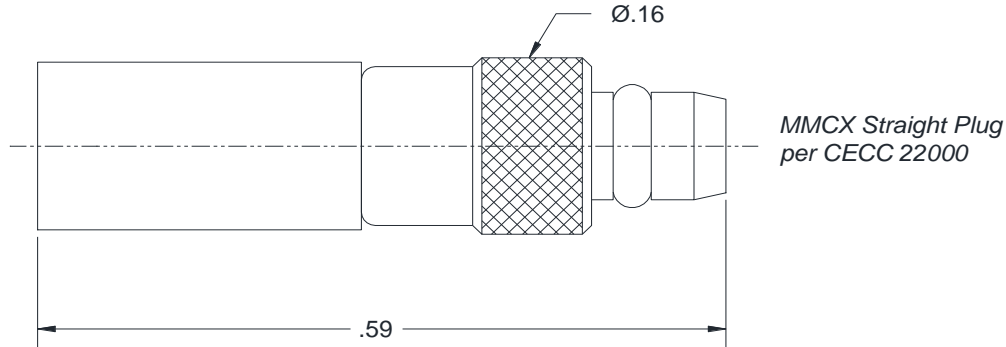


A Division of the Angelus Corporation  
 Ph (262) 246-0500 Fax (262) 246-0450 www.picwire.com  
 W220N1051 Springdale Road, Waukesha, WI 53186

Approved : *JDA*  
 Distribution : USER

Date: 4/28/2021  
 Rev.: 0  
 Uncontrolled if Printed

**MMCX Straight Plug**  
*for S31601*

**PERFORMANCE**

Nominal Impedance : 50 Ohms  
 Frequency Range : 0 - 6 GHz  
 Voltage Rating : 170 V (rms)  
 Insulation Resistance : 500 Megohms min.  
 Temperature Rating : -65° C to 165° C

**CONNECTOR WEIGHT (Each)**

0.027 ounces ( 0.76 grams)

**RoHS COMPLIANT**

Complies to RoHS Standards

**INSTALLATION****Center Contact**

Solder only

**Crimp Ferrule**

M22520/5-01, Tool  
 M22520/5-08, Hex Crimp Die Set  
 Cavity A (.128" Hex)

**CONSTRUCTION****Materials:**

Body	Brass
Dielectric	Teflon
Center Contact	Brass
Retaining Ring	Phosphor Bronze
Ferrule	Copper

**Finish :**

Body	Gold
Center Contact	Gold
Retaining Ring	Gold
Ferrule	Gold

**APPLICABLE STANDARDS**

European CECC 22000

**Notes :**

- 1) A .75" piece of Raychem ATUM heat shrink P/N ATUM-4/1-0 provided with connector for purpose of strain relief & moisture protection.
- 2) Please refer to T-11154 Termination Instruction sheet for strip dimensions & instructions.