

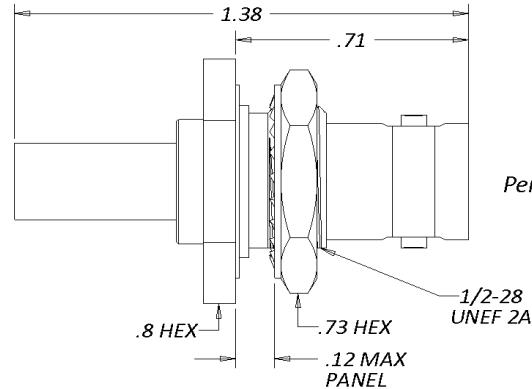
A Division of the Angelus Corporation
 Ph (262) 246-0500 Fax (262) 246-0450 www.picwire.com
 N220 W1051 Springdale Rd, Waukesha, WI 53186

Approved : *PFT*
 Distribution : USER

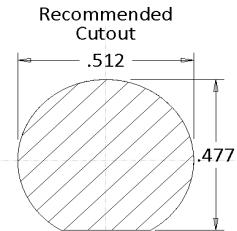
Date : 05/02/22
 Rev. 1 (05/26/22)
 Uncontrolled if Printed

BNC Bulkhead Jack

for S44191, S44193, S46191, RG142, and RG400



BNC Jack
 Per Mil-Std 348

**PERFORMANCE**

Nominal Impedance : 50 Ohms
 Frequency Range : 0 - 4 GHz
 Voltage Rating : 500 V(rms)
 Temperature Rating : -65° to +165° C

CONNECTOR WEIGHT (Each)

0.65 ounces (18.4 grams)

RoHS COMPLIANT

Complies to RoHS Standards

INSTALLATION

Center Contact M22520 / 5-01 Tool
 M22520 / 5-11 B Hex Crimp Die
 (.068" hex) PIC P/N 111015

Crimp Ferrule M22520 / 5-01 Tool
 M22520 / 5-11 A Hex Crimp Die
 (.213" hex) PIC P/N 111015

CONSTRUCTION**Materials:**

Body	Brass
Jam Nut, Lock washer	Brass
Center Contact	Beryllium Copper
Ferrule	Copper
Dielectric	Teflon
Gasket	Silicone Rubber

Finish :

Body, Ferrule	Nickel
Center Contact	Gold

APPLICABLE STANDARDS

MIL-STD 348, MIL-PRF-39012

Notes :

1) A 1.5" piece of Raychem ATUM heat shrink
 P/N ATUM-12/3-0 provided with connector for
 purpose of strain relief & moisture protection.

2) Please refer to T-111202 Termination Instruction
 sheet for strip dimensions & instructions.