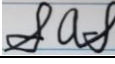
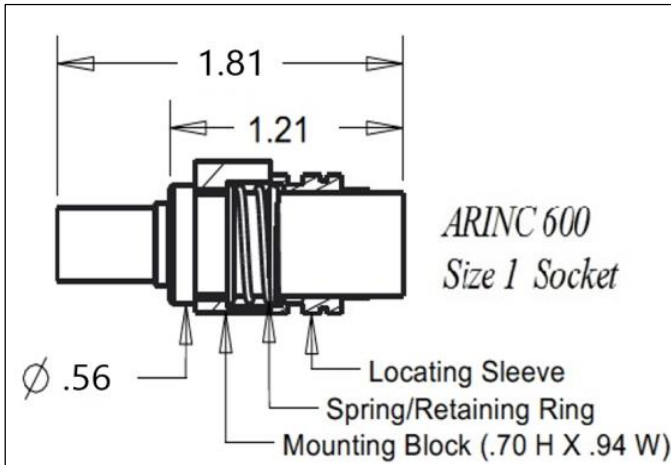
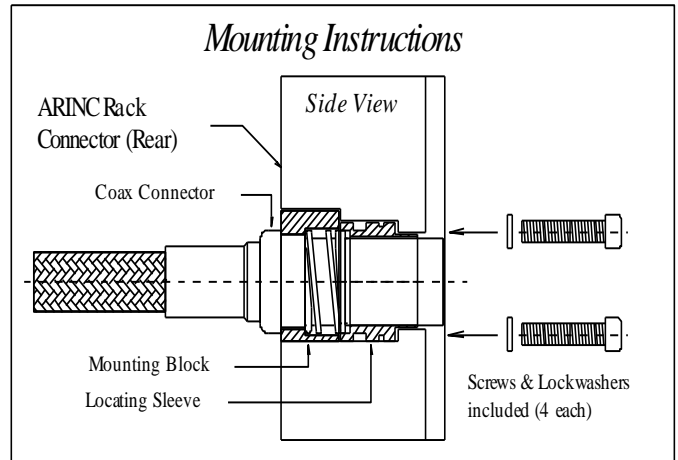


<b>PIC Wire &amp; Cable</b>	<b>Connector Specification</b>	<b>P/N 150501</b>
A Division of the Angelus Corporation Ph (262) 246-0500 Fax (262) 246-0450 www.picwire.com N220 W1051 Springdale Road, Waukesha, WI 53186	Approved : 	Date : 04/21/17
	Distribution : USER	Rev. 1 (07/21/23)
		Uncontrolled if Printed

**ARINC 600 Size 1 Socket Contact**  
*for UH67163*



Note : Mounting Screws (4 ea), Lockwashers (4 ea) Included



**PERFORMANCE**

Nominal Impedance	50 Ohms
Frequency Range	0 - 5 GHz
Voltage Rating	1000 V (rms)
Insulation Resistance	5000 Megohms

**CONNECTOR WEIGHT (Each)**

1.45 ounces (41.17 grams)

**RoHS COMPLIANT**

Complies to RoHS Standards

**INSTALLATION**

**Center Contact**  
Solder Only

**Crimp Ferrule**  
M22520 / 5-01 Tool  
M22520 / 5-41 Die Set  
(.290" A hex)

**CONSTRUCTION**

**Materials:**

Body	Brass, ASTM-B16, Alloy UNS 36000, H02
Center Contact	Beryllium Copper, ASTM-B196, Alloy UNS C17300
Ferrule	Brass, ASTM-B16, or Tellurium Copper ASTM B301 C14500, Temper H02
Dielectric	Alloy UNS 36000, Dead Soft, TFE Fluorocarbon, ASTM-D1710, Type 1, Grade 1
Spring, Retaining Ring	Stainless Steel
Mounting Block	Aluminum, Alloy 6061 T6

**Finish :**

Body, Ferrule	Gold
Center Contact	Gold
Spring, Retaining Ring	Passivated
Mounting Block	Iridite

**APPLICABLE STANDARDS**

ARINC 600

**Notes :**

- 1) A 1.5" piece of Raychem ATUM heat shrink P/N ATUM-12/3-0 provided with connector for purpose of strain relief & moisture protection.
- 2) Please refer to T-1505XX Termination Instruction sheet for strip dimensions & instructions.