

A Division of the Angelus Corporation  
 Ph (262) 246-0500 Fax (262) 246-0450 www.picwire.com  
 N220 W1051 Springdale Road, Waukesha, WI 53186

Approved : 

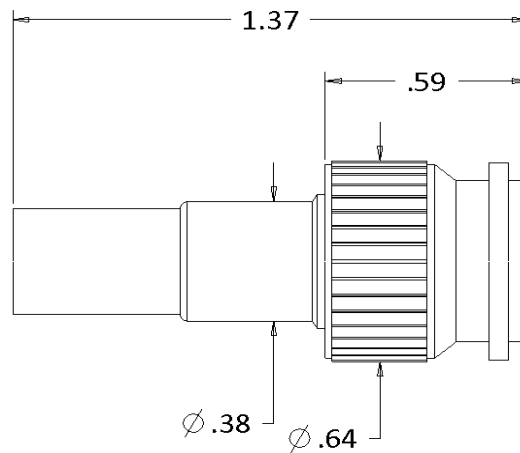
Date : 03/02/15

Rev. 4 (07/21/23)

Distribution : USER

Uncontrolled if Printed

**TNC 50 Ohm Straight Plug**  
 for UH67163



**TNC PLUG  
 PER  
 MIL-STD-348**

Features Not Shown : Safety Wire Holes, Gasket in Front

**PERFORMANCE**

Nominal Impedance	50 Ohms
Frequency Range	0 - 12 GHz
Voltage Rating	500 V(rms)
Insulation Resistance	5000 Megohms
Dielectric Withstanding Voltage	1500 V (rms)
VSWR (max)	1.3:1
Insertion Loss (max)	0.20 dB max @ 12 GHz
Insertion Loss :	$0.06 \sqrt{F(\text{GHz})}$

**CONNECTOR WEIGHT (Each)**

0.81 ounces (22.91 grams)

**RoHS COMPLIANT**

Complies to RoHS Standards

**INSTALLATION****Center Contact**

Solder Only

**Crimp Ferrule**

M22520 / 5-01 Tool

M22520 / 5-41 Die Set

(.290" A hex)

**CONSTRUCTION****Materials:**

Body	Brass, ASTM-B16, Alloy UNS 36000, H02
Outer Contact	Beryllium Copper, ASTM-B196, Alloy UNS C17300
Cable Contact	Brass, ASTM-B16, Alloy UNS 36000, H02
Ferrule	Tellurium Copper, ASTM-B301, C14500, H02 Or Brass, ASTM-B16, Alloy UNS 36000, Dead Soft, Or Copper, ASTM-B152, Alloy C12200
Dielectric	TFE Fluorocarbon, ASTM-D1710, Type 1, Grade 1
Gasket	Silicone Rubber A-A-59588

**Finish :**

Body, Ferrule	Nickel
Center Contact	Gold

**APPLICABLE STANDARDS**

MIL-STD 348, MIL-PRF-39012

**Notes :**

1) A 1.5" piece of Raychem ATUM heat shrink  
 P/N ATUM-12/3-0 provided with connector for  
 purpose of strain relief & moisture protection.

2) Please refer to T-1505XX Termination Instruction  
 sheet for strip dimensions & instructions.