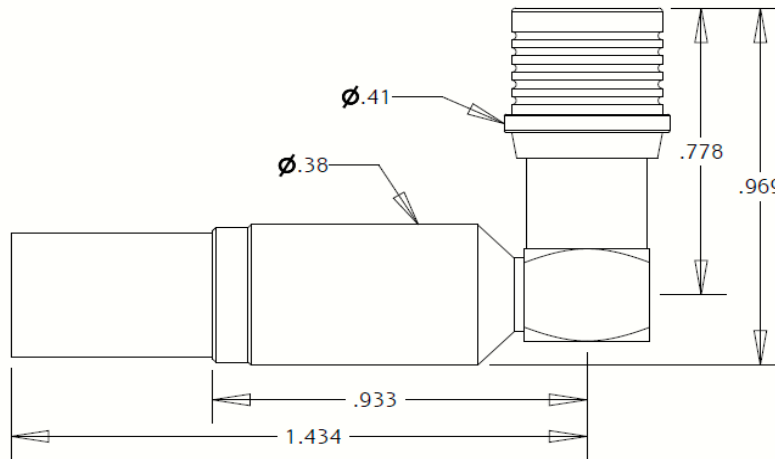


PIC Wire & Cable	Connector Specification	P/N 150550
<i>A Division of the Angelus Corporation</i> Ph (262) 246-0500 Fax (262) 246-0450 www.picwire.com PO Box 330 Sussex, WI 53089	Approved : <i>PFT</i>	Date : 08/08/18
	Distribution : USER	Rev. 2 (02/14/22)
		Uncontrolled if Printed

QMA 90 Degree Plug

for UH67163



**QMA Interface
per IEC 61169-50**

PERFORMANCE

Nominal Impedance : 50 Ohms
 Frequency Range : 0 - 6 GHz
 Voltage Rating : 335 V (rms)
 Insulation Resistance : 5000 Megohms min.
 DW Voltage : 1000 V (rms)
 Insertion Loss (max) : 0.25 dB max @ 6 GHz
 Insertion Loss : 0.05 $\sqrt{F(\text{GHz})}$
 Temperature Rating : -65° to +165° C

CONNECTOR WEIGHT (Each)

0.78 ounces (22.00 grams)

RoHS COMPLIANT

Complies to RoHS Standards

INSTALLATION

Center Contact : Solder Only

Crimp Ferrule : M22520 / 5-01 Tool
 M22520 / 5-41 Die Set
 (.290" A hex)

CONSTRUCTION

Materials:

Body : Brass, ASTM-B16,
 Alloy UNS 36000, H02

Center Contact : Beryllium Copper, ASTM-B196,
 Alloy UNS C17300

Outer Contact : Phosphor Bronze, ASTM-B139,
 C54400, Temper HD

Dielectric : TFE Fluorocarbon, ASTM-D1710,
 Type 1, Grade 1

Ferrule : D.H.P Copper CDA,
 Alloy 122

Finish :

Body : Nickel

Ferrule, Outer Contact : Nickel

Center Contact : Gold

APPLICATIONS

IEC 61169-50

Notes :

- 1) A 2.0" piece of Raychem ATUM heat shrink P/N ATUM-12/3-0 provided with connector for purpose of strain relief & moisture protection.
- 2) Please refer to T-1505xx Termination Instruction sheet for strip dimensions & instructions.