

A Division of the Angelus Corporation

Ph (262) 246-0500 Fax (262) 246-0450 www.picwire.com

PO Box 330 Sussex, WI 53089

Approved : *MJC*

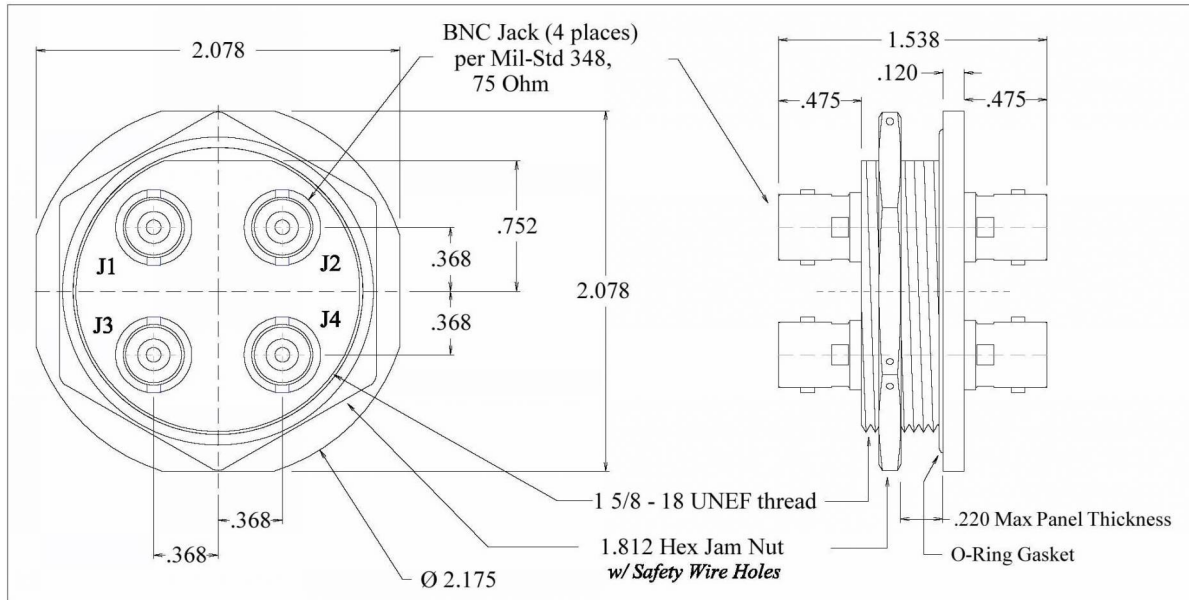
Date : 10/22/03

Rev. 4 (05/06/15)

Distribution : User

Uncontrolled if Printed

BNC Quad Jack to Jack Bulkhead Adapter, 75 Ohm, Hermetically Sealed
(US Patent # 6835093)



PERFORMANCE

Impedance : 75 Ohms
 Frequency Rating : 0 - 3 GHz
 Voltage Rating : 500 V (rms)
 Insulation Resistance : 5000 MegOhms
 Temperature Rating : -40° C to +150° C

Connector Weight (each)

3.98 ounces (112.95 grams)

RoHS Compliant

Complies to RoHS Standards

Applicable Standards

Adapter body / Interface : MIL-PRF-55339 / MIL-STD-348
 Overall body : MIL-C-26482, Series II, Size 24 Shell
 MS3474, Size 24 Shell
 Jam Nut : MS3186C-121P
(Recommended Torque: 110 in-lbs Min / 120 in-lb Max)
 O-Ring Gasket : MS9068-031

RF Port color codes as follows :

- J1 Yellow
- J2 Black
- J3 Blue
- J4 Red

CONSTRUCTION

Materials :

Bulkhead Adapter Body : Stainless Steel, UNS S30300
 RF Connector Body : Stainless Steel, UNS S30300
 Center Contacts : Beryllium Copper, ASTM-B196, Alloy 17300
 Dielectric, RF Interface : TFE Fluorocarbon, ASTM-D1710, Type 1, Grade 1
 Dielectric, Hermetic Seal : 9010 Glass
 Jam Nut : Stainless Steel, UNS S30300
 O-Ring Gasket : Silicone Rubber, ZZ-R-765

Finish :

Bulkhead Body : Passivated Stainless
 RF Connector Bodies : Passivated Stainless
 Center Contacts : Gold

Not to scale

