

Connector Specification



W220 N1051 Springdale Road
Waukesha, WI 53186 USA
Phone: 800.742.3191
www.PICwire.com

Approved :

Date : 10/05/23

Rev : 0

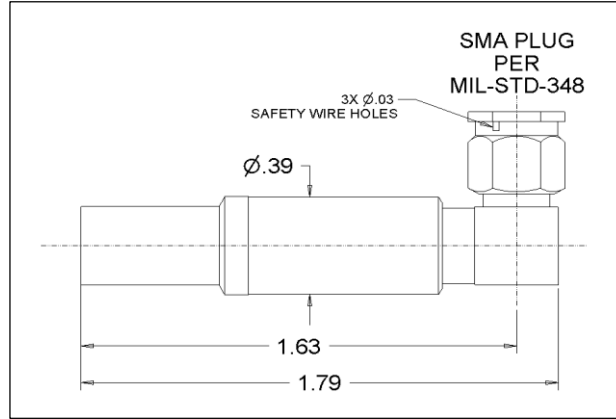
Distribution : **User**

Uncontrolled Document

Part Number: 190515A-G

SMA type 50 Ohm 90° Plug

for S65161-A



Features Not Shown : Gasket in front

PERFORMANCE

Nominal Impedance	50 Ohms
Frequency Range	0 - 12 GHz
Voltage Rating	335 VRMS
Insulation Resistance	5000 Megohms

CONNECTOR WEIGHT (Each)

0.77 ounces (21.77 grams)

RoHS COMPLIANT

Complies to RoHS Standards

INSTALLATION

Pic Die Set	MIL Spec Die Set
<i>Center Contact</i> M22520 / 5 - 01 Tool, PIC 190518A Hex Crimp Die (.098 hex)	<i>Center Contact</i> M22520 / 5-01 Tool, MIL Spec *M22520 / 5-57 (.100 B hex)
<i>Crimp Ferrule</i> M22520 / 5 - 01 Tool, *PIC 190518A Hex Crimp Die (.270/.340 hex)	<i>Crimp Ferrule</i> M22520 / 5-01 Tool, MIL Spec *M22520 / 5-43 (.268 A hex)

CONSTRUCTION

Materials:

Body	Stainless Steel, ASTM-A582, Alloy UNS S30300
Center Contact	Beryllium Copper, ASTM-B196, Alloy UNS C17300
Ferrule	Brass, ASTM-B16, Alloy UNS 36000, Dead Soft, Weatherseals included
Dielectric	TFE Fluorocarbon, ASTM-D1710, Type 1, Grade 1
Gasket	Silicone Rubber, A-A-59588

Finish :

Body	Gold
Ferrule	Gold
Center Contact	Gold

Interface Standards

MIL-STD 348
MIL-PRF-39012

Notes :

- 1) A 2.5" piece of Raychem ATUM heat shrink P/N ATUM-16/4-0 provided with connector for purpose of strain relief & moisture protection.
- 2) Please refer to T-1905XXA-G Termination Instruction sheet for strip dimensions & instructions.

* Note - MIL Spec die to be used on the smaller diameter area of ferrule only. Not the larger "Bell" areas on each end.