

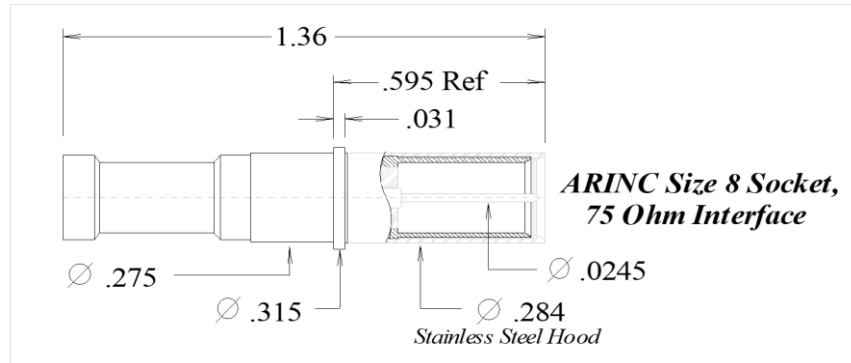
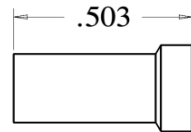
A Division of the Angelus Corporation
 Ph (262) 246-0500 Fax (262) 246-0450 www.picwire.com
 W220 N1051 Springdale Road Waukesha, WI 53186

Approved : *JDA*
 Distribution : USER

Date : 09/11/02
 Rev : 7 (11/15/21)
 Uncontrolled if Printed

ARINC 600 SIZE 8 SOCKET CONTACT

(75 Ohm Interface)
 for V75268, V76261, V73263

**Optional Crimp Ferrule****PERFORMANCE**

Nominal Impedance	75 Ohms
Frequency Range	0 - 3 GHz
Voltage Rating	325 V(rms)
Insulation Resistance	5000 Megohms
Dielectric Withstanding Voltage	750 V(rms)
VSWR (Max)	1.3:1
Insertion Loss (Max)	0.3 dB

CONNECTOR WEIGHT (Each)

0.25 ounces (7.09 grams)

RoHS COMPLIANT

Complies to RoHS Standards

INSTALLATION**Center Contact**

M22520 / 2 - 01 Tool,
 Selector Dial @ # 6
 Recommended Positioner :
 PIC # 110257 (Daniels # K1448)

Weatherproofing Crimp Ferrule

M22520 / 5 - 01 Tool,
 PIC 190818 Hex Crimp Die
 (.186/.222 hex)

Optional Crimp Ferrule

M22520 / 5-01 Tool,
 *MIL Spec M22520 / 5-41
 (.178 "B" hex)

* Note - MIL Spec die to be used on smaller diameter area of "optional" crimp ferrule only. Not the larger "Bell" area on end.

CONSTRUCTION**Materials:**

Body	Beryllium Copper, ASTM-B196, Alloy UNS C17300
Outer Hood	Stainless Steel, ASTM-A582, Alloy UNS S30300
Center Contact	Beryllium Copper, ASTM-B196, Alloy UNS C17300
Ferrule	Brass, ASTM-B16, Alloy UNS 36000, Dead Soft, Weatherseals included
Dielectric	TFE Fluorocarbon, ASTM-D1710, Type 1, Grade 1

Finish :

Body, Ferrule	Gold
Center Contact	Gold
Outer Hood	Passivated Stainless

APPLICATIONS

ARINC 600

Notes :

1) Please refer to T-1907XX Termination Instruction sheet for strip dimensions & instructions.

2) Removal Tool P/N M81969/14-12