

PIC Wire & Cable**Connector Specification****P/N 190763**

A Division of the Angelus Corporation
 Ph (262) 246-0500 Fax (262) 246-0450 www.picwire.com
 N220 W1051 Springdale Road, Waukesha, WI 53186

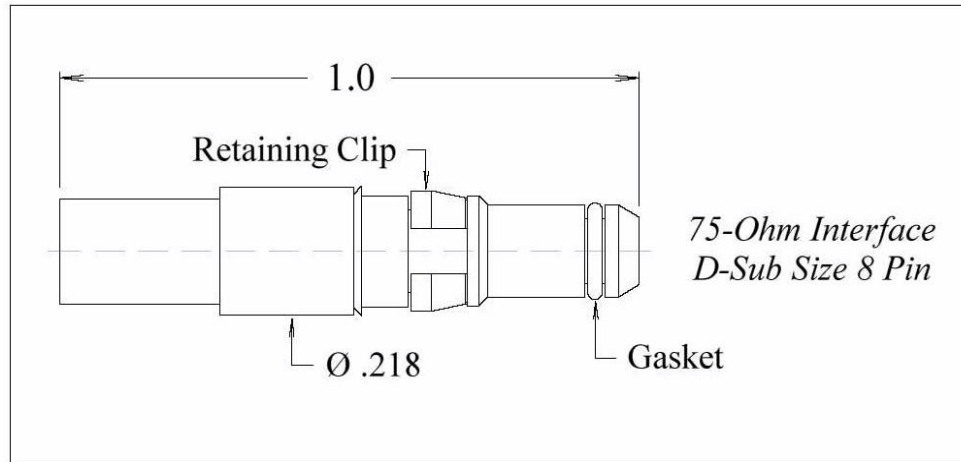
Approved : *FMB*

Date : 12/12/12

Rev : 6 (06/21/22)

Distribution : USER

Uncontrolled if Printed

D-Sub Size 8 Pin (Plug) Contact - 75 Ohm Interface*for V73263 / V75268 / V76261****For use with 75 Ohm Interface mating contact PIC P/N 190764 ONLY.*****PERFORMANCE**

Impedance :	75 Ohms
Frequency Range :	0 - 3 GHz
Insertion Loss (max) :	0.1 dB @ 3 GHz.
Voltage Rating :	1000 V(rms)
Insulation Resistance :	2000 Megohms min.
DW Voltage :	1500 V(rms)

CONNECTOR WEIGHT (Each)

0.093 ounces (2.65 grams)

RoHS COMPLIANT

Complies to RoHS Standards

INSTALLATION (Crimp Tooling)**Center Contact :**

M22520 / 2 - 01 Tool, Selector Dial @ # 4
 Positioner : PIC P/N 110926 (Daniels # K127-2)
 Alt. - PIC P/N 110753 (Daniels # K1886)

Crimp Ferrule

M22520 / 5 - 01 Tool ,
 Die Set:
 PIC P/N 110376, (Daniels # Y187)
 Cavity B (.156" hex)

CONSTRUCTION**Materials:**

Body :	Brass, ASTM-B16, Alloy UNS 36000, H02
Center Contact :	Beryllium Copper, ASTM-B196, Alloy UNS C17300
Ferrule :	Brass, ASTM-B16, Alloy UNS 36000, Dead Soft
Dielectric :	PTFE Fluorocarbon, ASTM-1457
Clip Ring :	Beryllium Copper, ASTM-B194
Gasket	Silicone Rubber, ZZ-R-765

Finish :

Body, Contact, Ferrule :	Gold, MIL-G-45204
Clip Ring :	Nickel, QQ-N-290

APPLICABLE STANDARDS

IDS-76
 MIL-DTL-24308

Notes :

1) Please refer to T-1907XX Termination Instruction sheet for strip dimensions & instructions.

2) Recommended Removal Tools :

Palco P/N T0100-K, Positronics P/N 4311-0-0-0
 or ITT P/N CET-C6B