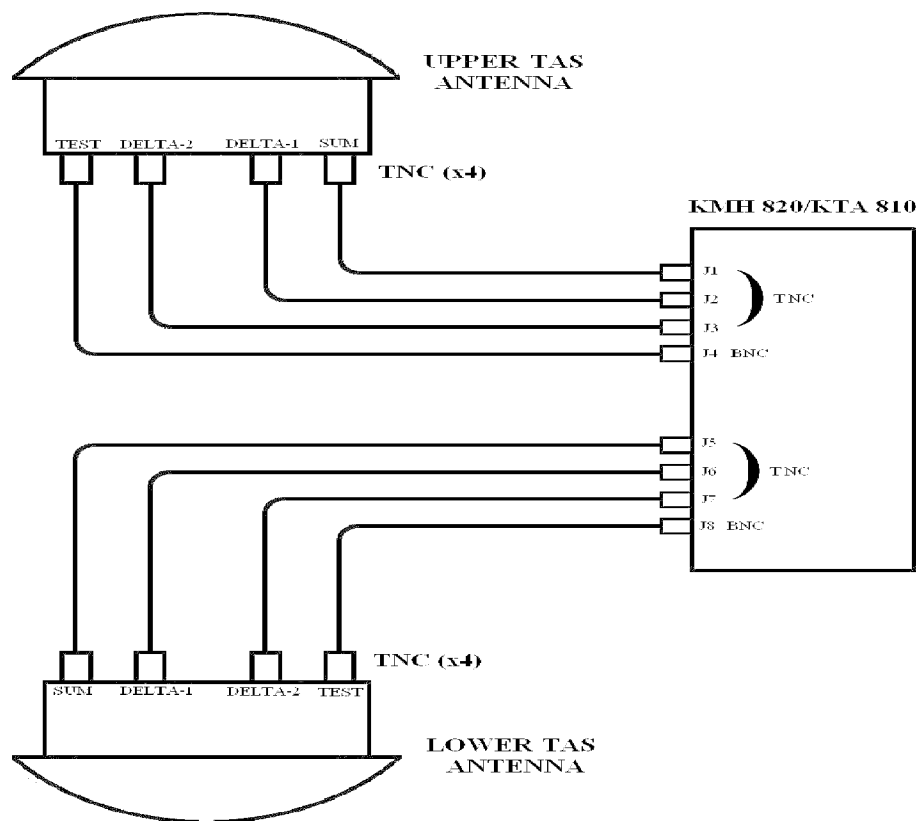


KMH 880/980 & KTA 870/970 TAS/TCAS RF CABLE WORKSHEET



Cable (Test) Requirements :

Insertion Loss: 1.0 to 3.0 dB @ 1.09 GHz for each antenna cable.
 VSWR: 1.5:1 Max @ 1.09 GHz. for each ant. cable.
 Phase-Matching: Each set of 4 ant. cables Phase-Matched within 90° @ 1.09 GHz.

UPPER ANT. INFO:

UPPER ANT. CABLE LENGTH : _____

CONN. ANGLE @ UPR ANT. : _____

CONN. ANGLE @ LRU : _____

LOWER ANT. INFO:

LOWER ANT. CABLE LENGTH : _____

CONN. ANGLE @ LWR ANT. : _____

CONN. ANGLE @ LRU : _____

LABELING: Standard Labeling is P/N, S/N, & connection Info.

CUSTOMER INFORMATION:

CUSTOMER : _____

CONTACT : _____

PH# : _____

DATE : _____

NEED CABLES BY : _____

NEED QUOTE BY : _____