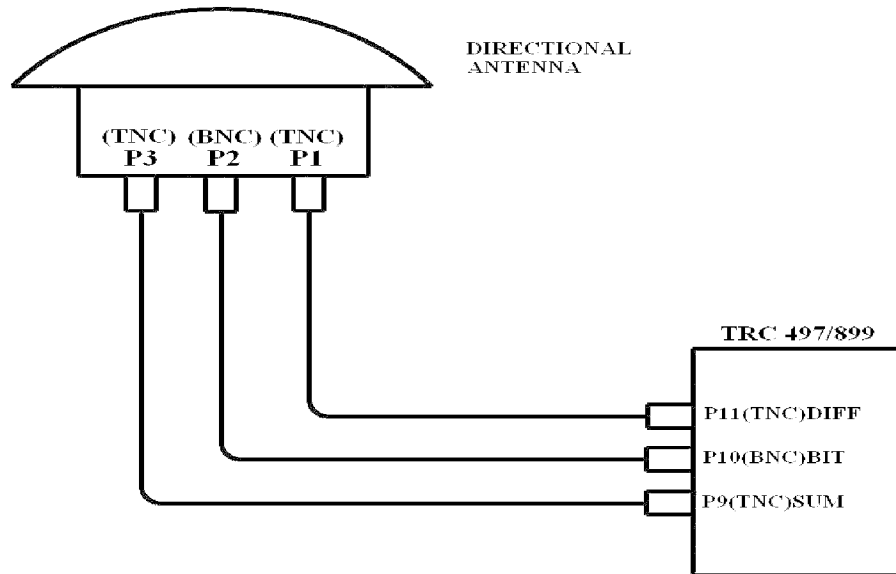


SKYWATCH 497/899 RF CABLE WORKSHEET

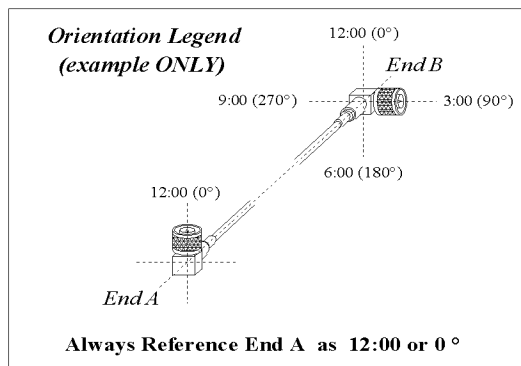
Cable (Test) Requirements :

Insertion Loss : 2.5 dB Max @ 1.03 GHz for Sum & Diff Ant. cables.
 6.0 dB Max @ 1.03 GHz for the Bit ant. cable.
 VSWR : 1.5:1 max @ 1.03 GHz for each ant. cable.



Connector Orientation

(Assemblies ≤ 20 ft with (2) 90° Connectors)
 Configuration Depicted : End B is **3:00** or **90°** from end A.



UPPER ANT. CABLE INFO:

UPPER ANT. CABLE LENGTHS : _____
 CONN. ANGLE @ UPR ANT. : _____
 CONN. ANGLE @ LRU : _____
 CONN. ORIENTATION: _____
 (See Below)

NOTE: DRAW LINE FOR DISC. & SPECIFY LENGTHS & CONN TYPES ON DWG TO LEFT.

QTY OF KITS: _____ (3 cables ea)

LABELING: Standard Labeling is P/N, S/N & connection Info.

CUSTOMER INFORMATION:

CUSTOMER : _____
 CONTACT : _____
 PH # : _____
 DATE : _____
 NEED CABLES BY : _____
 NEED QUOTE BY : _____