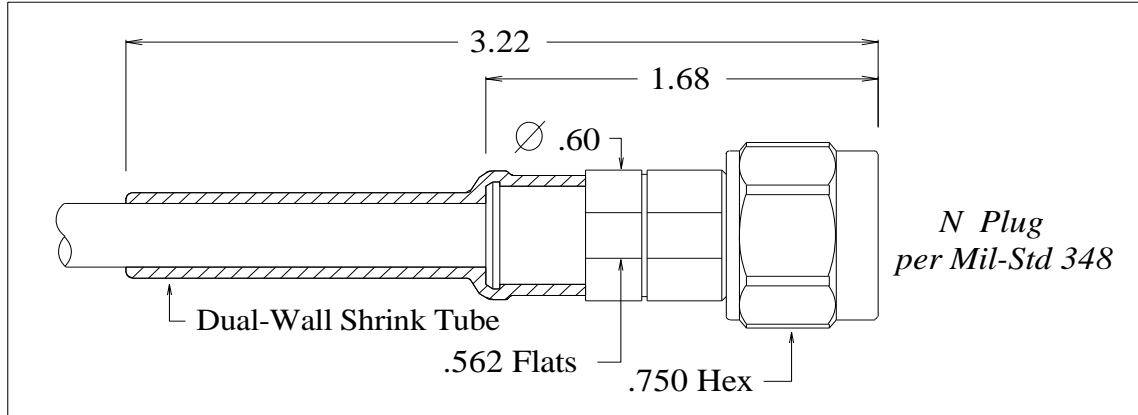


<b>PIC Wire &amp; Cable</b> <i>A Division of the Angelus Corporation</i> Ph 262-246-0500 Fax 262-246-0450 PO Box 330 Sussex, WI 53089	<b>Connector Specification</b>	<b>110295</b>
	Approved <i>MCT</i>	Date 01/23/04
	Distribution : USER	Rev. 1 (06/25/13) Uncontrolled Document

**N Straight Plug**  
for S29113



*Features Not Shown: Seal in front*

**PERFORMANCE**

Nominal Impedance	50 Ohms
Frequency Range	0 - 18 GHz
Voltage Rating	1000 VRMS
Insulation Resistance	5000 Megohms

**CONNECTOR WEIGHT (Each)**

tbd

**RoHS COMPLIANT**

Complies to RoHS Standards

**INSTALLATION**

***Crimp Tooling:***

Solder Sleeve / Clamp-Type Termination

**CONSTRUCTION**

***Materials:***

Body	Stainless Steel
Center Contact	Beryllium Copper
Dielectric	TFE Fluorocarbon

***Finish :***

Body	Passivated
Center Contact	Gold

***Applicable Standards***

MIL-STD 348  
MIL-PRF-39012

***Notes :***

*1) Please refer to T-110295 Termination Instruction sheet for strip dimensions & instructions.*