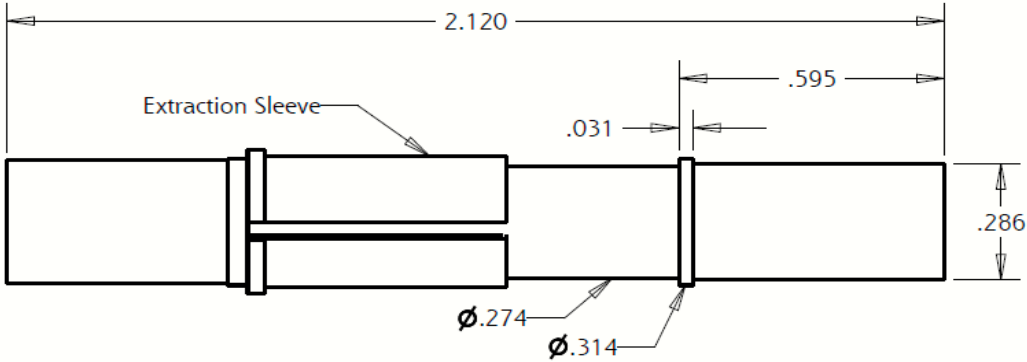


<b>PIC Wire &amp; Cable</b>	<b>Connector Specification</b>	<b>P/N 111079</b>
<i>A Division of the Angelus Corporation</i> Ph (262) 246-0500 Fax (262) 246-0450 www.picwire.com W220 N1051 Springdale Road, Waukesha, WI 53186	Approved : <i>PFT</i>	Date : 07/09/18
	Distribution : USER	Rev : 2 (04/26/21)
		Uncontrolled if Printed

**ARINC 600 Size 8 Coaxial Socket Contact**  
*for PIC Cable P/N S67163*



**PERFORMANCE**

Nominal Impedance	50 Ohms
Frequency Range	0 - 5 GHz
Voltage Rating	500 V(rms)
Insulation Resistance	5000 Megohms
Dielectric Withstanding Voltage	1000 V(rms)
VSWR (Max)	1.3:1
Insertion Loss (Max)	0.3 dB

**CONNECTOR WEIGHT (Each)**

0.453 ounces (12.84 grams)

**RoHS COMPLIANT**

Complies to RoHS Standards

**INSTALLATION**

**Center Contact**

Solder Only

**Crimp Ferrule**

M22520 / 5-01 Tool  
 M22520 / 5-13 Die Set  
 (.255" A hex)

**CONSTRUCTION**

**Materials:**

Body	Beryllium Copper, ASTM-B196, Alloy UNS C17300
Outer Hood	Stainless Steel, ASTM-A582, Alloy UNS S30300
Cable Contact	Beryllium Copper, ASTM-B196, Alloy UNS C17300
Ferrule	Brass, ASTM-B16, Alloy UNS 36000, Dead Soft
Dielectric	TFE Fluorocarbon, ASTM-D1710, Type 1, Grade 1

**Finish :**

Body, Cable Contact	Gold
Ferrule	Bright Nickel
Outer Hood	Passivated Stainless

**APPLICABLE STANDARDS**

ARINC 600, M39029/59

**Notes :**

- 1) Please refer to T-111079 Termination Instruction sheet for strip dimensions & instructions.
- 2) No extraction tool needed. Contact has a built in extraction sleeve.