

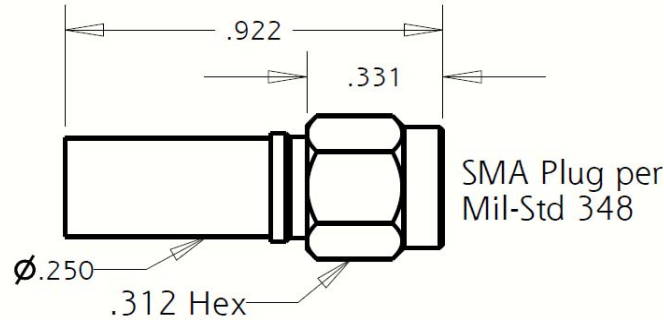
A Division of the Angelus Corporation
 Ph (262) 246-0500 Fax (262) 246-0450 www.picwire.com
 PO Box 330 Sussex, WI 53089

Approved : 
 Distribution : USER

Date : 07/09/18
 Rev : 0
 Uncontrolled if Printed

SMA 50 Ohm Reverse Polarity Straight Plug

for S44191, S44193, S46191, RG400 & RG142



Features Not Shown : Safety Wire Holes, Gasket in Front

PERFORMANCE

Nominal Impedance : 50 Ohms
 Frequency Range : 0 - 12 GHz
 Voltage Rating : 335 V(rms)
 Insulation Resistance : 5000 Megohms min.
 Insertion Loss : $0.06 \sqrt{F(\text{GHz})}$

CONNECTOR WEIGHT (Each)

0.198 ounces (5.60 grams)

RoHS COMPLIANT

Complies to RoHS Standards

INSTALLATION**Center Contact**

Solder Only

Crimp Ferrule

M22520 / 5-01 Tool
 M22520 / 5-11 Die Set
 (.213" A hex)

CONSTRUCTION**Materials:**

Body	Brass, ASTM-B16, Alloy UNS 36000, H02
Cable Contact	Beryllium Copper, ASTM-B196, Alloy UNS C17300
Ferrule	D.H.P. Copper CDA, Alloy 122, Temper Hard
Dielectric	TFE Fluorocarbon, ASTM-D1710, Type 1, Grade 1
Gasket	Silicone Rubber

Finish :

Body	Gold
Ferrule	Gold
Center Contact	Gold

APPLICABLE STANDARDS

MIL-STD 348, MIL-PRF-39012

Notes :

- 1) A 1.5" piece of Raychem ATUM heat shrink P/N ATUM-12/3-0 provided with connector for purpose of strain relief & moisture protection.
- 2) Please refer to T-111089 Termination Instruction sheet for strip dimensions & instructions.