

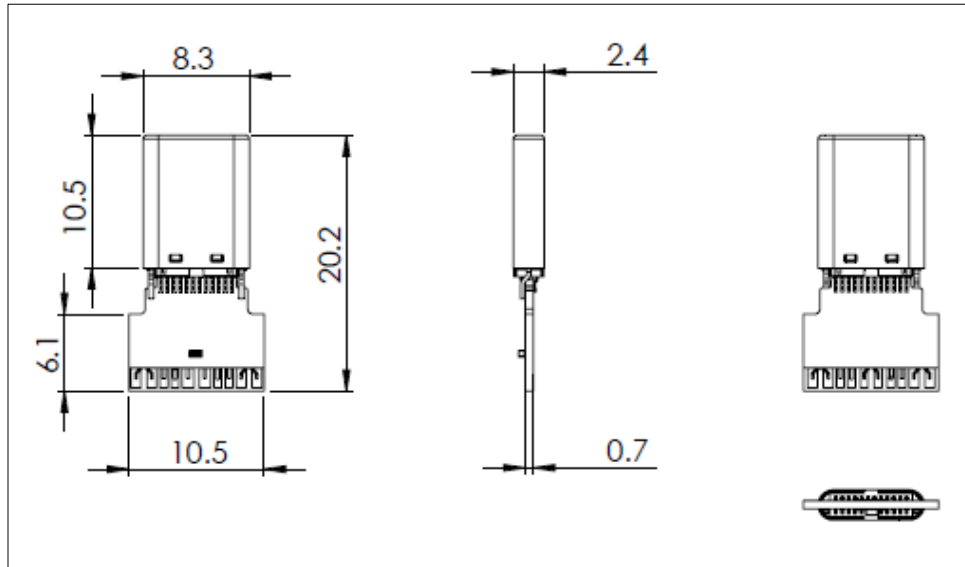
A Division of the Angelus Corporation
 Ph (262) 246-0500 Fax (262) 246-0450 www.picwire.com
 PO Box 330 Sussex, WI 53089

Approved : *TVH*
 Distribution : User

Date : 05/20/20
 Rev : 0
 Uncontrolled if Printed

USB Type C Plug Connector

For USBC-2624
 (Not Electronically Marked)



NOTE: ALL DIMENSIONS ARE IN MILLIMETERS

PERFORMANCE

Electrical and Mechanical Specifications:
 Meets USB Type-C Cable and
 Connector Specification Rev 2.0

ENVIRONMENTAL

Temperature Rating -40° C to +85° C
 Insertion / Extraction 10,000 cycles Min

CONNECTOR WEIGHT (Each)

0.035 ounces (1.0 gram)

RoHS COMPLIANT

Complies to RoHS Standards

CONSTRUCTION**Materials:**

Plug Housing	Thermoplastic, High Temp
Contacts	Copper Alloy
Shell	Stainless Steel
PCB	FR4, UL 94-V0

Finish :

Contacts	Nickel Plating Overall Matte Tin Plating On Solder Tail Gold on Contact Area
----------	--

Shell	Nickel Plating Overall
-------	------------------------

Applicable Standards :

USB Type-C Cable and Connector
 Specification Rev 2.0