

# PIC Wire & Cable

A Division of the Angelus Corporation

Ph 262-246-0500

Fax 262-246-0450

PO Box 330 Sussex, WI 53089

## Connector Specification

### 120621

Approved

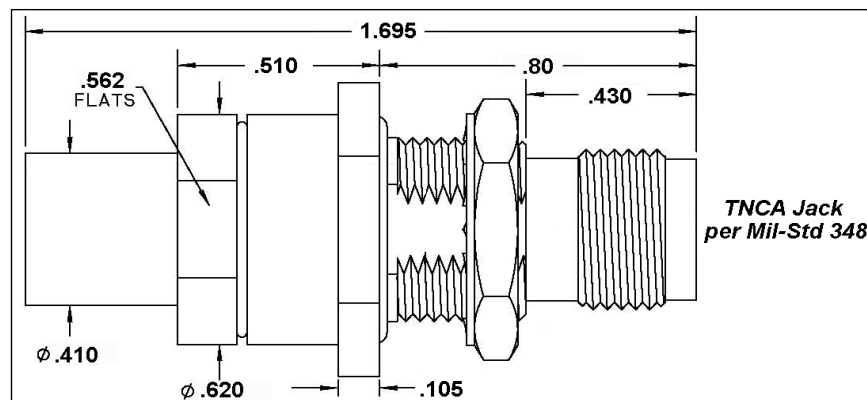
Date 11/24/10

Rev. 1 (06/11/13)

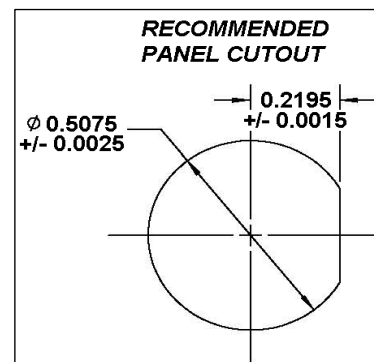
Distribution : USER

Uncontrolled Document

### TNCA Bulkhead Jack for S28110 & HH85295F Cables



Features Not Shown : Safety Wire Holes



#### PERFORMANCE

Nominal Impedance	50 Ohms
Frequency Range	DC - 18 GHz
Temperature Rating	- 65° to + 200° C
Voltage Rating	500 VRMS

#### CONNECTOR WEIGHT (Each)

1.14 ounces (32.43 grams)

#### RoHS COMPLIANT

Complies to RoHS Standards

#### INSTALLATION

Recommended Jam Nut Torque - 35 to 40 in. lbs.

Solder-on Termination

#### CONSTRUCTION

##### Materials:

Body	Stainless Steel
Clamp Nut	Stainless Steel
Center Contact	Beryllium Copper
Solder Ferrule	Brass
Dielectric	PTFE
O-Ring	Silicon Rubber
Lock Nut	Stainless Steel

##### Finish :

Body, Clamp Nut	Passivated
Solder Ferrule	Gold
Center Contact	Gold

##### Applicable Standards

MIL-STD 348A  
MIL-C-39012

##### Notes :

- 1) A 1.5" piece of Raychem ATUM heat shrink P/N ATUM-12/3-0 provided with connector for purpose of strain relief & moisture protection.
- 2) Please refer to T-120621 Termination Instruction sheet for strip dimensions & instructions.