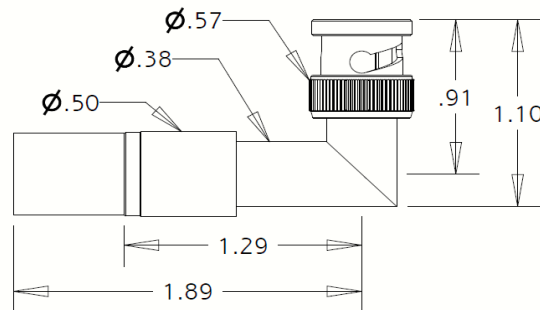


BNC 50 Ohm 90° Plug
 for UH22089

BNC Plug per
 Mil-Std 348



Features Not Shown : Gasket in Front

PERFORMANCE

Nominal Impedance :	50 Ohms
Frequency Range :	0 - 4 GHz
Voltage Rating :	500 V(rms)
Insulation Resistance :	5000 Megohms
DW Voltage :	1500 V (rms)
Insertion Loss (max) :	0.34 dB max @ 4 GHz
Insertion Loss :	$0.17 \sqrt{F(\text{GHz})}$
Temperature Rating :	-65° to +165° C

CONNECTOR WEIGHT (Each)

1.30 ounces (36.74 grams)

RoHS COMPLIANT

Complies to RoHS Standards

INSTALLATION**Center Contact**

Solder Only

Crimp Ferrule

M22520 / 5-01 Tool
 M22520 / 5-25 Die Set
 (.429" A hex)

CONSTRUCTION**Materials:**

Body	Brass, ASTM-B16, Alloy UNS 36000, H02
Connector Contact	Beryllium Copper, ASTM-B196, Alloy UNS C17300
Outer Contact	Beryllium Copper, ASTM-B196, Alloy UNS C17300
Cable Contact	Brass, ASTM-B16, Alloy UNS 36000, H02
Ferrule	Brass, ASTM-B16, Alloy UNS 36000, Dead Soft, Or Copper, ASTM-B152, Alloy C12200
Dielectric	TFE Fluorocarbon, ASTM-D1710, Type 1, Grade 1
Gasket	Silicone Rubber

Finish :

Body, Ferrule	Nickel
Center Contact	Gold

APPLICABLE STANDARDS

MIL-STD 348, MIL-PRF-39012

Notes :

1) A 2.0" piece of Raychem ATUM heat shrink
 P/N ATUM-16/4-0 provided with connector for
 purpose of strain relief & moisture protection.

2) Please refer to T-1504XX Termination Instruction
 sheet for strip dimensions & instructions.