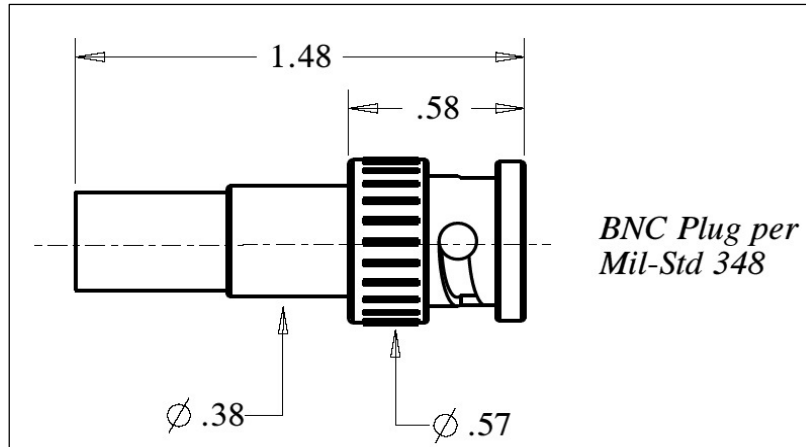


A Division of the Angelus Corporation
 Ph (262) 246-0500 Fax (262) 246-0450 www.picwire.com
 PO Box 330 Sussex, WI 53089

Approved : *PFT*
 Distribution : USER

Date : 03/02/15
 Rev. 3 (11/13/19)
 Uncontrolled if Printed

BNC 50 Ohm Straight Plug
for UH67163



Features Not Shown : Gasket in Front

PERFORMANCE

Nominal Impedance : 50 Ohms
 Frequency Range : 0 - 4 GHz
 Voltage Rating : 500 V(rms)
 Insulation Resistance : 5000 Megohms min.
 DW Voltage : 1500 V (rms)
 Insertion Loss (max) : 0.24 dB max @ 4 GHz
 Insertion Loss : $0.12 \sqrt{F(\text{GHz})}$
 Temperature Rating : -65° to +165° C

CONNECTOR WEIGHT (Each)

0.60 ounces (17.01 grams)

RoHS COMPLIANT

Complies to RoHS Standards

INSTALLATION

Center Contact

Solder Only

Crimp Ferrule

M22520 / 5-01 Tool
 M22520 / 5-41 Die Set
 (.290" A hex)

CONSTRUCTION

Materials:

Body	Brass, ASTM-B16, Alloy UNS 36000, H02
Outer Contact	Beryllium Copper, ASTM-B196, Alloy UNS C17300
Cable Contact	Brass, ASTM-B16, Alloy UNS 36000, H02
Ferrule	Brass, ASTM-B16, Alloy UNS 36000, Dead Soft,
Dielectric	TFE Fluorocarbon, ASTM-D1710, Type 1, Grade 1
Gasket	Silicone Rubber

Finish :

Body, Ferrule	Nickel
Center Contact	Gold

APPLICABLE STANDARDS

MIL-STD 348, MIL-PRF-39012

Notes :

- 1) A 1.5" piece of Raychem ATUM heat shrink P/N ATUM-12/3-0 provided with connector for purpose of strain relief & moisture protection.
- 2) Please refer to T-1505XX Termination Instruction sheet for strip dimensions & instructions.