
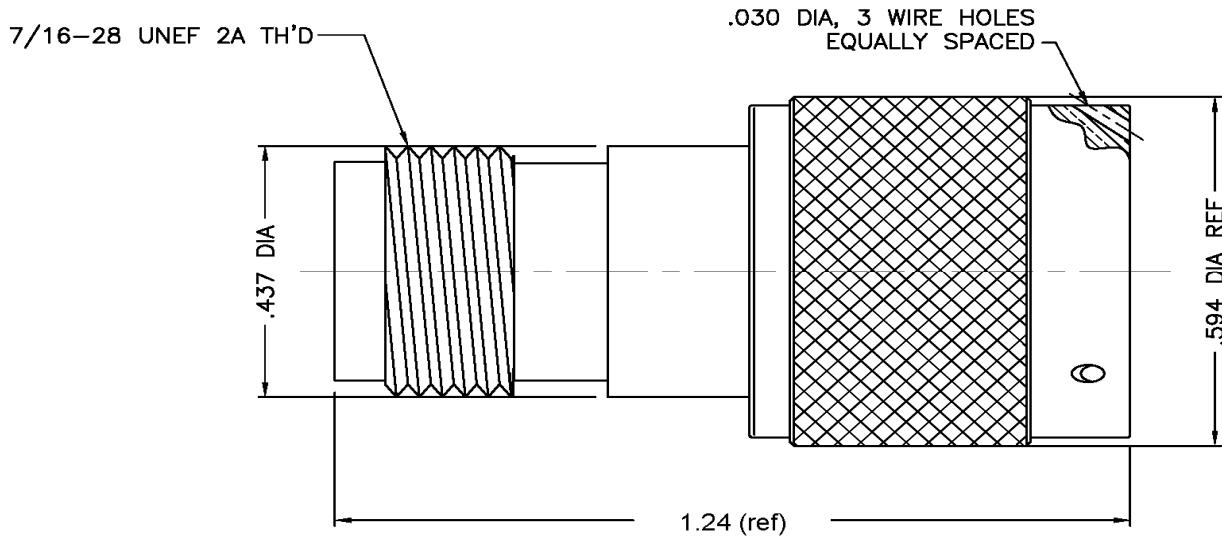


| | | |
|---|---|-------------------------|
| PIC Wire & Cable | Connector Specification | P/N 190006 |
| <i>A Division of the Angelus Corporation</i> Ph (262) 246-0500 Fax (262) 246-0450 www.picwire.com PO Box 330 Sussex, WI 53089 | Approved :  | Date : 11/08/17 |
| | Distribution : USER | Rev. 0 |
| | | Uncontrolled if Printed |

TNC Jack to TNC Plug Adapter, 50 Ohm



PERFORMANCE

| | |
|---------------------------|-------------------------|
| Impedance : | 50 Ohms nom |
| Frequency Rating : | 0 - 11 GHz |
| Insertion Loss : | 0.14 F (GHz) |
| VSWR : | 1.35 : 1 max to 11 GHz. |
| Insulation Resistance : | 5000 MegOhms min |
| Dielectric Withstanding : | 1500 V (rms) |
| Voltage Rating : | 500 V (rms) |
| Temperature Rating : | -65° C to +165° C |

CONNECTOR WEIGHT

0.70 ounces (20 grams)

RoHS COMPLIANT

Complies to RoHS Standards

CONSTRUCTION

Materials:

| | |
|------------------|---|
| Connector Body : | Brass, ASTM-B16, <i>Alloy UNS 36000, H02</i> |
| Center Contact : | Beryllium Copper, ASTM-B196, <i>Alloy UNS C17300</i> |
| Dielectric : | TFE Fluorocarbon, ASTM-D1710, <i>Type 1, Grade 1</i> |
| Gasket : | Silicone Rubber, ZZ-R-765 |

Finish :

| | |
|------------------|-------------------|
| Body : | Nickel, QQ-N-290 |
| Center Contact : | Gold, MIL-G-45204 |

APPLICABLE STANDARDS

MIL-PRF-55339, MIL-STD-348