
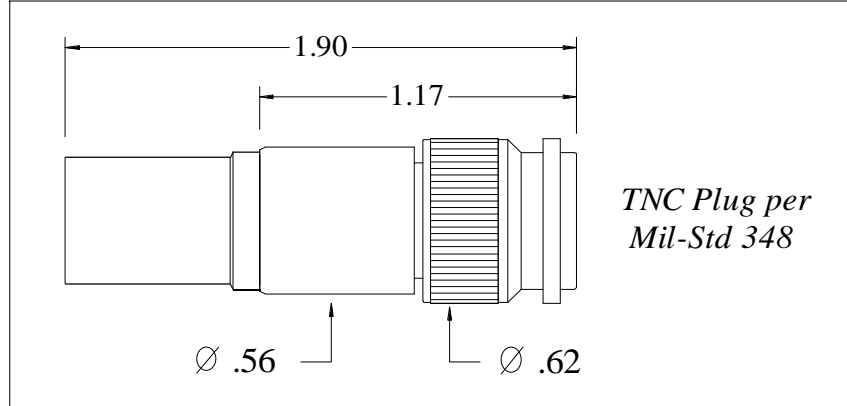


<b>PIC Wire &amp; Cable</b>	<b>Connector Specification</b>	<b>P/N 190208</b>
A Division of the Angelus Corporation Ph (262) 246-0500 Fax (262) 246-0450 www.picwire.com PO Box 330 Sussex, WI 53089	Approved : 	Date : 12/21/92
	Distribution : USER	Rev. 4 (06/16/14)
		Uncontrolled Document

**TNC Straight Plug**  
for T556124 & RG 393



*Features Not Shown : Safety Wire Holes, Gasket in Front*

**PERFORMANCE**

Nominal Impedance	50 Ohms
Frequency Range	0 - 12 GHz
Voltage Rating	500 VRMS
Insulation Resistance	5000 Megohms

**CONNECTOR WEIGHT (Each)**

1.31 ounces (37.14 grams)

**RoHS COMPLIANT**

Complies to RoHS Standards

**INSTALLATION**

<b>Pic Die Set</b>	<b>MIL Spec Die Set</b>
<i>Center Contact</i>	<i>Center Contact</i>
M22520 / 5 - 01 Tool, PIC 190218 Hex Crimp Die (.098 hex)	M22520 / 5-01 Tool, MIL Spec *M22520 / 5-25 (.100 B hex)
<i>Crimp Ferrule</i>	<i>Crimp Ferrule</i>
M22520 / 5 - 01 Tool, PIC 190218 Hex Crimp Die (.429/.450 hex)	M22520 / 5-01 Tool, MIL Spec *M22520 / 5-25 (.429 A hex)

**CONSTRUCTION**

**Materials:**

Body	Brass, ASTM-B16, Alloy UNS 36000, H02
Center Contact	Brass, ASTM-B16, Alloy UNS 36000, H02
Ferrule	Brass, ASTM-B16, Alloy UNS 36000, Dead Soft, Weatherseals included
Dielectric	TFE Fluorocarbon, ASTM-D1710, Type 1, Grade 1
Gasket	Silicone Rubber, ZZ-R-765

**Finish :**

Body, Ferrule	Nickel
Center Contact	Gold

<b>Applicable Standards</b>	MIL-STD 348 MIL-PRF-39012
-----------------------------	------------------------------

**Notes :**

- 1) A 2.5" piece of Raychem ATUM heat shrink P/N ATUM-19/6-0 provided with connector for purpose of strain relief & moisture protection.
- 2) Please refer to T-190XXX Termination Instruction sheet for strip dimensions & instructions.

\* Note - MIL Spec die to be used on the smaller diameter area of ferrule only. Not the larger "Bell" area on end.

*PIC Wire & Cable Connector User specification sheets are non-controlled documents. Please contact PIC Wire and Cable or visit the PIC website (www.picwire.com) to ensure the latest revision of the drawing is being viewed.*